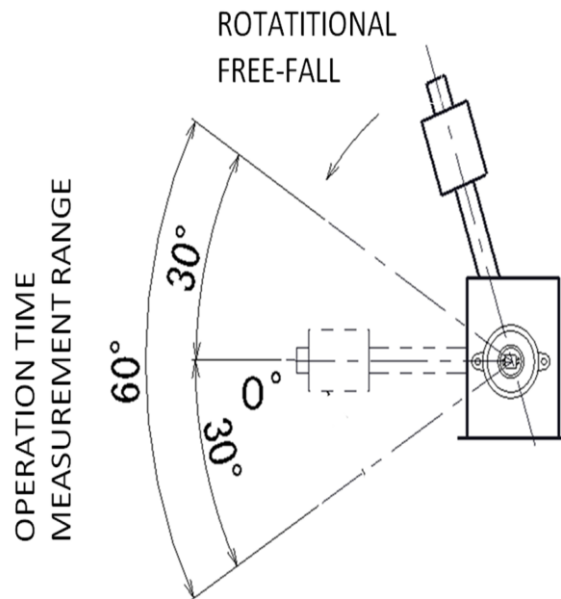
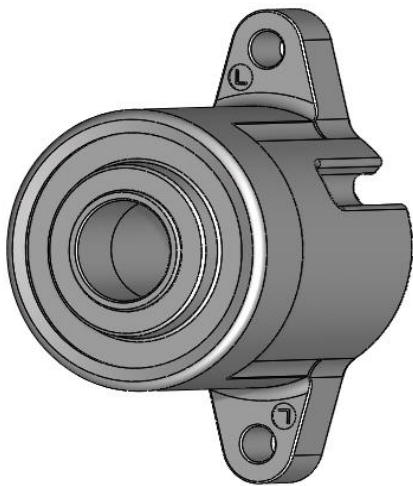


## Pressure Damper P 63 15 N/M

Model	Max.torque	Damping direction
DA40-20310-000	15N · m	Clockwise
DA40-20320-000		Counter-Clockwise

Max.angle	106°
Operating temperature	-30~80°C
Weight	280 g
Body material	Zinc die-cast(ZDC)
Cap material	Zinc die-cast(ZDC)
Rotating shaft material	Zinc die-cast(ZDC)
Oil type	Silicone oil



Measurement conditions for the motion –time graph

Operating time measuring machine (arm type)

Measurement temperature:  $23 \pm 3^\circ\text{C}$

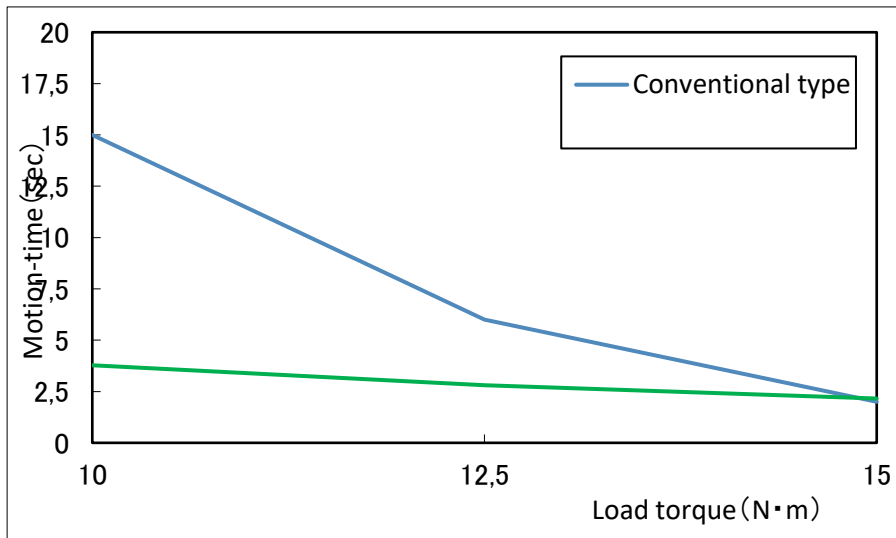
Load torque: 10-15 N/m

Measurement angle:  $+30^\circ \sim -30^\circ$

Load characteristic –Reference

Load torque: N/m

Motion-time: sec



Temperature characteristic –Reference

